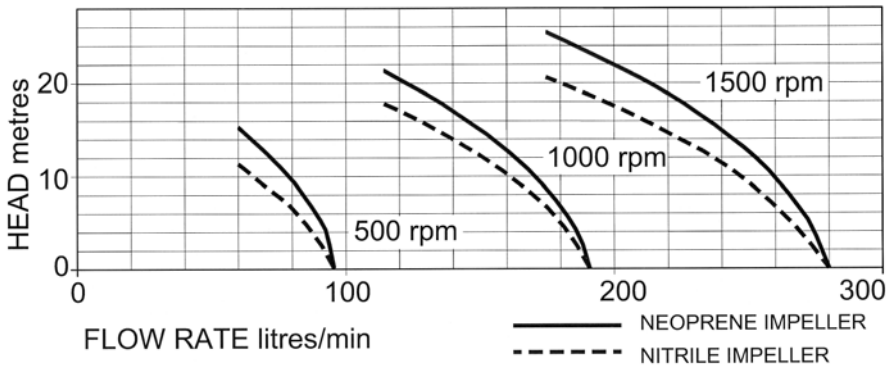


PERFORMANCE:

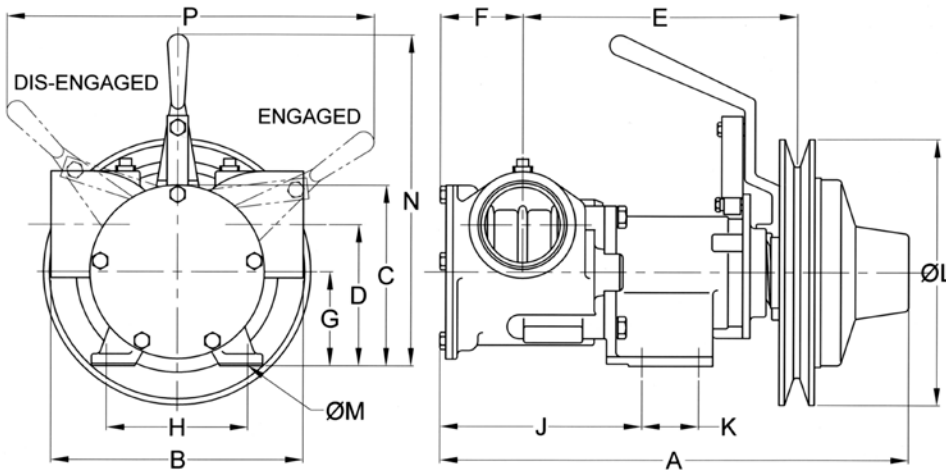


MODEL	Maximum flow rate		Maximum head	
	l/min	gall/min	metres	feet
51270-2011	300	66	25	82
51270-2003	300	66	20	65

Max Power absorbed 1800 watt at 1500rpm

DIMENSIONS:

WEIGHT: 11 Kg



A	B	C	D	E	F	G	H	J	K	L	M	N	P
316	170	122	96	185	56	64	95	136	38	Ø180	Ø10	225	248

MATERIALS OF CONSTRUCTION:

Body	Bronze
Impeller	Neoprene or oil resistant Nitrile
Wearplate	Replaceable
Shaft	Stainless steel type 316
Shaft seal	Mechanical carbon/ceramic
Bearings	Twin row, ball type
Port type	2" BSP to BS21 (DIN2999)
Clutch type	Manual – Self adjusting
Pulley	180mm dia A or B section

MODELS:

- 51270-2011 Neoprene Impeller
- 51270-2003 Nitrile Impeller



a xylem brand

BRONZE FLEXIBLE IMPELLER - MANUAL CLUTCH

51270 SERIES



PUMP with 2" BSP PORTS

- * Constructed from marine quality bronze and stainless steel
- * Self-prime from dry up to 2.4m
- * Easy to service and maintain
- * Will tolerate abrasive wear
- * Handles hard and soft solids without clogging
- * Can pump in either direction
- * Will not airlock

Xylem Water Solutions UK Ltd
 Bingley Road
 Hoddesdon
 Hertfordshire • EN11 0BU UK

Tel: +44 (0)1462 480380
 Fax: +44 (0)1462 482422
 mail@cleghorn.co.uk
 www.jabscoshop.com

